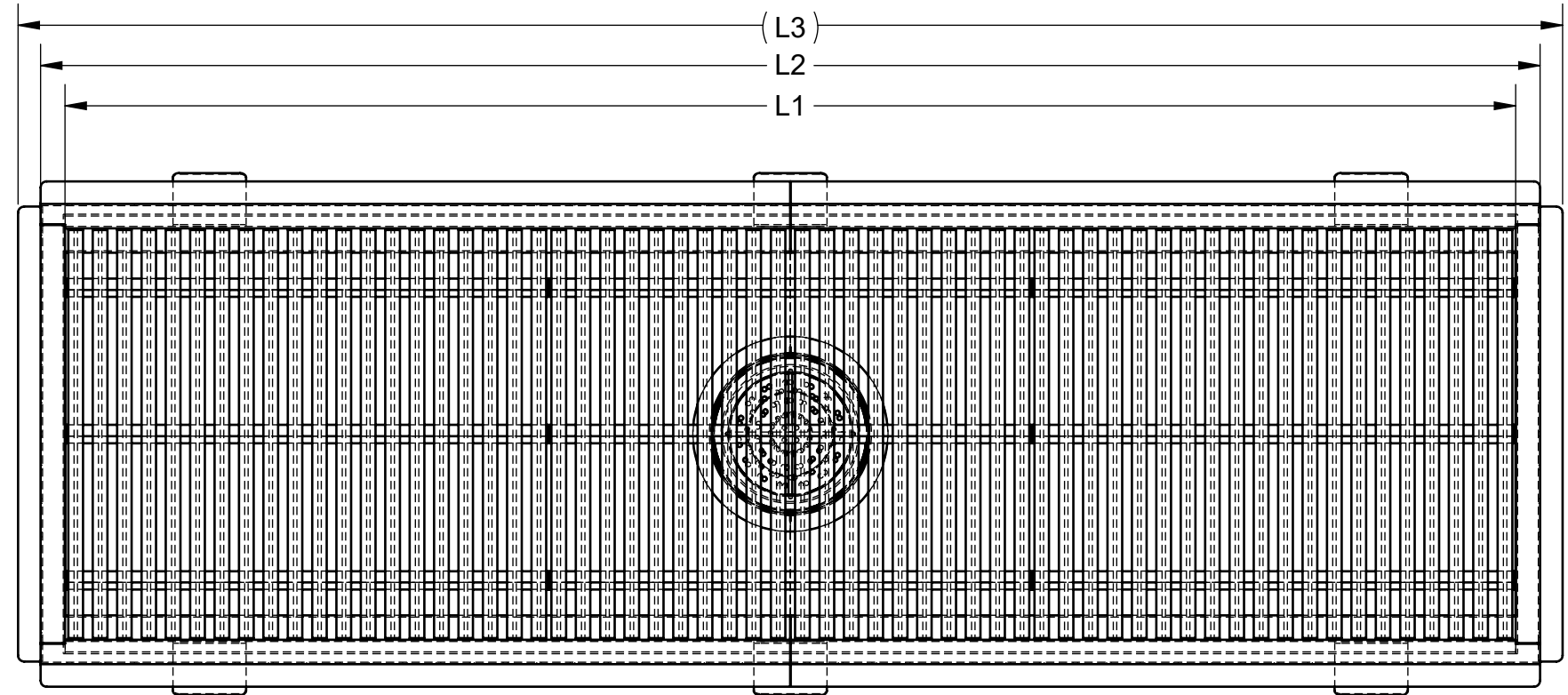
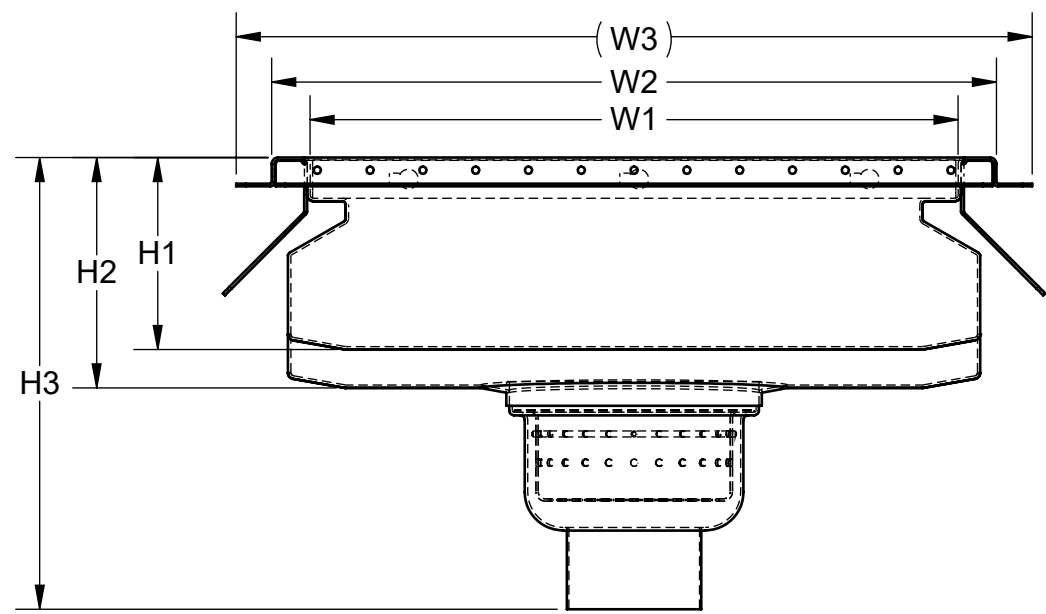


LENGTHS					WIDTHS				HEIGHTS			
MODEL	L1	L2	L3	BETWEEN DRAINS	MODEL	W1	W2	W3		H1	H2	H3
ASDT-XX20	19.88	21.88	23.72	-	ASDT-12XX	10.88	12.88	14.73	SHALLOW	4.00	5.00	10.75
ASDT-XX24	24.69	26.69	28.53	-	ASDT-18XX	16.88	18.88	20.73	STANDARD	5.00	6.00	11.75
ASDT-XX30	30.69	32.69	34.53	-	ASDT-24XX	22.88	24.88	26.73	DEEP	6.00	7.00	12.75
ASDT-XX36	35.19	37.19	39.03	-	ASDT-30XX	28.88	30.88	32.73				
ASDT-XX40	39.69	41.69	43.53	-	ASDT-36XX	34.88	36.88	38.73				
ASDT-XX42	41.50	43.50	45.35	-								
ASDT-XX48	47.50	49.50	51.35	-								
ASDT-XX54	53.50	55.50	57.35	-								
ASDT-XX60	59.50	61.50	63.35	-								
ASDT-XX72	71.81	73.81	75.66	-								
ASDT-XX80	79.31	81.31	83.16	-								
ASDT-XX84	84.13	86.13	87.97	-								
ASDT-XX96	96.13	98.13	99.97	48.06								
ASDT-XX100	99.13	101.13	102.98	49.56								
ASDT-XX108	108.44	110.44	112.28	54.22								
ASDT-XX120	118.94	120.94	122.88	59.47								
ASDT-XX140	138.75	140.75	142.60	69.38								

STANDARD DRAIN		
DESC.	QTY.	QTY. (L = 96"+)
3.5" OD SS TUBE OUTLET	1	2

OPTIONAL DRAIN		
DESC.	QTY.	QTY. (L = 96"+)
3" OD SS TUBE OUTLET	1	2
4" OD SS TUBE OUTLET	1	2



ASDT-XXXX-XX

TYPE OF TROUGH →
 WIDTH OF TROUGH →
 LENGTH OF TROUGH →

TYPE OF GRATES →
 BLANK = SAFE-T-SPAN (DK GRAY)
 STGY = SAFE-T-SPAN (YELLOW)
 GNMG = MESH GRATE (GREEN)
 GYMG = MESH GRATE (GRAY)
 SS = STAINLESS STEEL
 ASSG = ANTI SLIP STAINLESS STEEL

APPROVED AS SHOWN
APPROVED AS NOTED
REVISE AND RESUBMIT

BY _____ DATE _____

**APPROVAL NEEDED PRIOR TO PRODUCTION
 CUSTOM PRODUCTS NON RETURNABLE**

LAKESIDE
 4900 WEST ELECTRIC AVE., WEST MILWAUKEE, WI 53219

**ANTI SPLASH DRY TROUGH SALES GUIDE
 MADE TO DRAIN**

TOLERANCES UNLESS OTHERWISE NOTED
 X.X ± .06" DIA./RADIUS ± .005"
 X.XX ± .03" ANGLES ± 1"
 X.XXX ± .010" DO NOT SCALE DRAWING

LAKESIDE MFG. INC. RESERVES PROPRIETARY RIGHTS TO THIS DRAWING AND THE DATA SHOWN THEREON. SAID DRAWING AND/OR DATA ARE CLASSIFIED AND CONFIDENTIAL AND ARE NOT TO BE USED OR REPRODUCED FOR ANY PURPOSE WITHOUT WRITTEN CONSENT OF LAKESIDE MFG., INC. COPYRIGHT 2008

SHEET 1 OF 1

DATE _____ MATERIAL _____ NEXT ASM _____ DRAWING NO. **ASDT-XXXX** REVISION _____

DRAWN BY _____ RELEASE NO _____ SCALE 1:7