

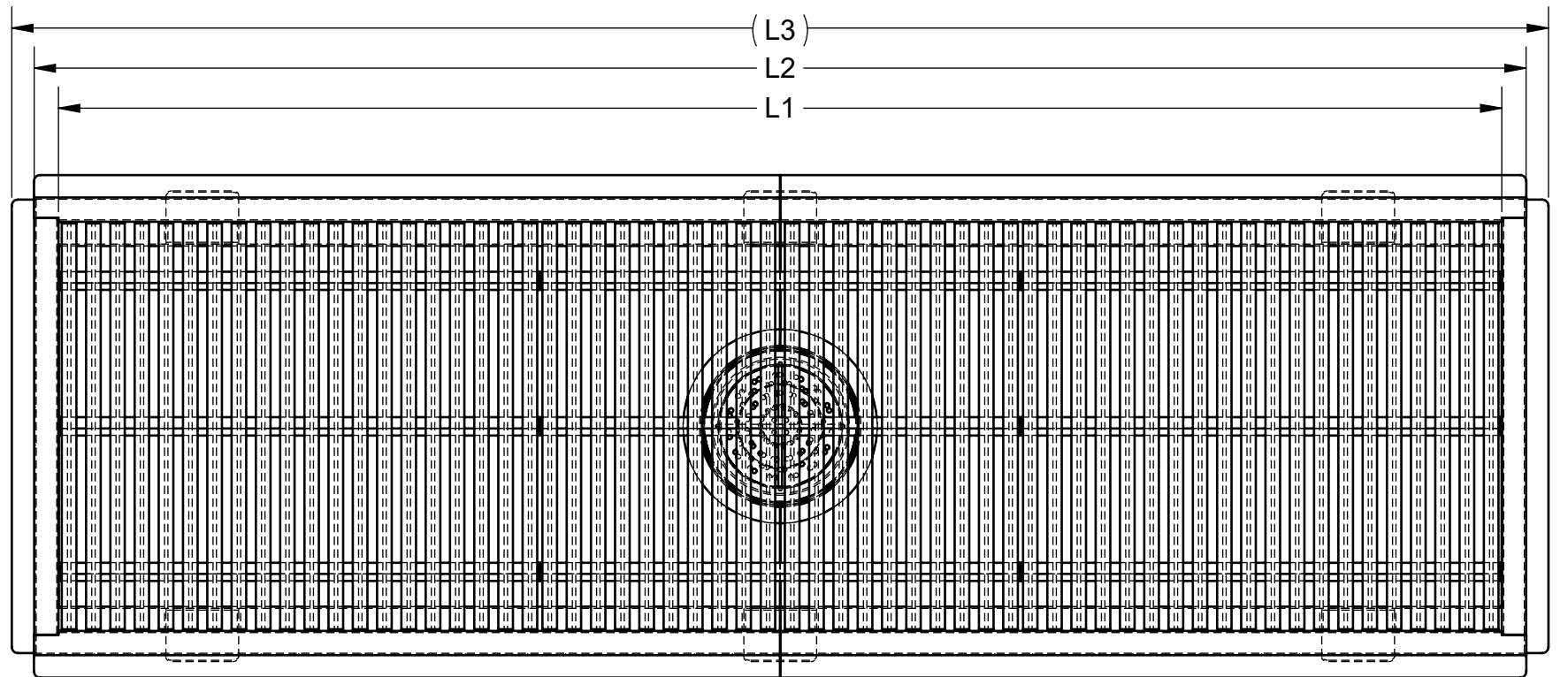
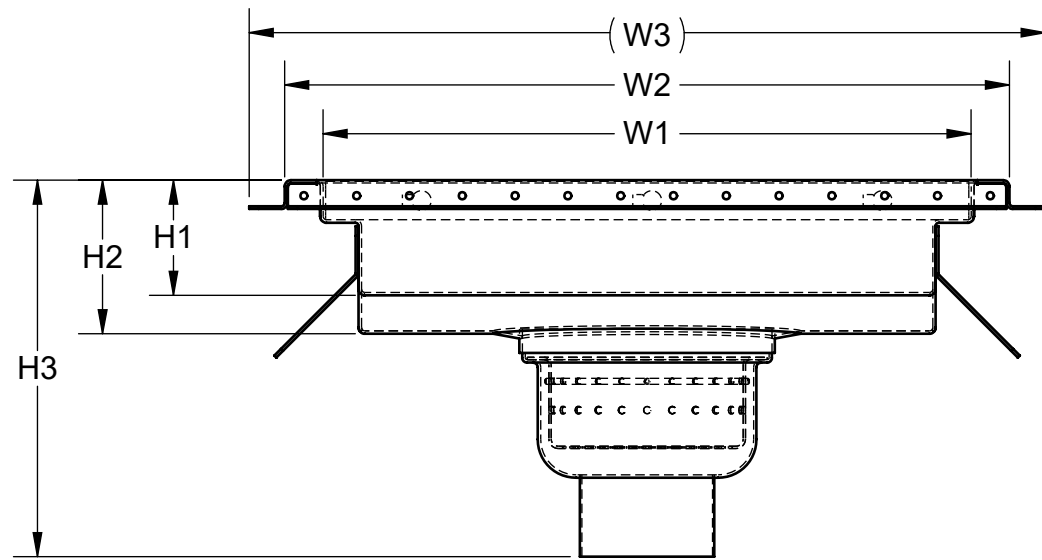
	A	B	C	D	E
	LENGTHS				
	MODEL	L1	L2	L3	BETWEEN DRAINS
9	DT-XX20	19.88	21.88	23.72	-
	DT-XX24	24.69	26.69	28.53	-
	DT-XX30	30.69	32.69	34.53	-
	DT-XX36	35.19	37.19	39.03	-
	DT-XX40	39.69	41.69	43.53	-
	DT-XX42	41.50	43.50	45.35	-
8	DT-XX48	47.50	49.50	51.35	-
	DT-XX54	53.50	55.50	57.35	-
	DT-XX60	59.50	61.50	63.35	-
	DT-XX72	71.81	73.81	75.66	-
	DT-XX80	79.31	81.31	83.16	-
7	DT-XX84	84.13	86.13	87.97	-
	DT-XX96	96.13	98.13	99.97	48.06
	DT-XX100	99.13	101.13	102.98	49.56
	DT-XX108	108.44	110.44	112.28	54.22
	DT-XX120	118.94	120.94	122.88	59.47
6	DT-XX140	138.75	140.75	142.60	69.38

	G	H	J	K
	WIDTHS			
	MODEL	W1	W2	W3
	DT-12XX	10.88	12.88	14.73
	DT-18XX	16.88	18.88	20.73
	DT-24XX	22.88	24.88	26.73
	DT-30XX	28.88	30.88	32.73
	DT-36XX	34.88	36.88	38.73

	M	N	P	Q
	HEIGHTS			
		H1	H2	H3
	SHALLOW	1.75	2.00	7.63
	STANDARD	3.00	4.00	9.80
	DEEP	5.00	6.00	11.81

STANDARD DRAIN		
DESC.	QTY.	QTY. (L = 96"+)
3.5" OD SS TUBE OUTLET	1	2

OPTIONAL DRAIN		
DESC.	QTY.	QTY. (L = 96"+)
3" OD SS TUBE OUTLET	1	2
4" OD SS TUBE OUTLET	1	2



**DT-XXXX-XX**

TYPE OF TROUGH

WIDTH OF TROUGH

LENGTH OF TROUGH

TYPE OF GRATES

BLANK = SAFE-T-SPAN (DK GRAY)  
STGY = SAFE-T-SPAN (YELLOW)

GNMG = MESH GRATE (GREEN)  
GYMG = MESH GRATE (GRAY)

SS = STAINLESS STEEL  
ASSG = ANTI SLIP STAINLESS STEEL

APPROVED AS SHOWN

APPROVED AS NOTED

REVISE AND RESUBMIT

BY \_\_\_\_\_ DATE \_\_\_\_\_

**APPROVAL NEEDED PRIOR TO PRODUCTION  
CUSTOM PRODUCTS NON RETURNABLE**

**LAKESIDE**  
4900 WEST ELECTRIC AVE., WEST MILWAUKEE, WI 53219

**DRY TROUGH SALES GUIDE  
MADE TO DRAIN**

TOLERANCES UNLESS OTHERWISE NOTED  
X.X ± .06" DIA./RADIUS ± .005"  
X.XX ± .03" ANGLES ± 1"  
X.XXX ± .010" DO NOT SCALE DRAWING

LAKESIDE MFG. INC. RESERVES PROPRIETARY RIGHTS TO THIS DRAWING AND THE DATA SHOWN THEREON. SAID DRAWING AND/OR DATA ARE CLASSIFIED AND CONFIDENTIAL AND ARE NOT TO BE USED OR REPRODUCED FOR ANY PURPOSE WITHOUT WRITTEN CONSENT OF LAKESIDE MFG., INC. COPYRIGHT 2008

SHEET 1 OF 1

DATE \_\_\_\_\_ MATERIAL \_\_\_\_\_ NEXT ASM \_\_\_\_\_ DRAWING NO. **DT-XXXX** REVISION \_\_\_\_\_

DRAWN BY \_\_\_\_\_ RELEASE NO \_\_\_\_\_ SCALE 1:7